

DRAW-WIRE

Draw-wire support for incremental & absolute encoders

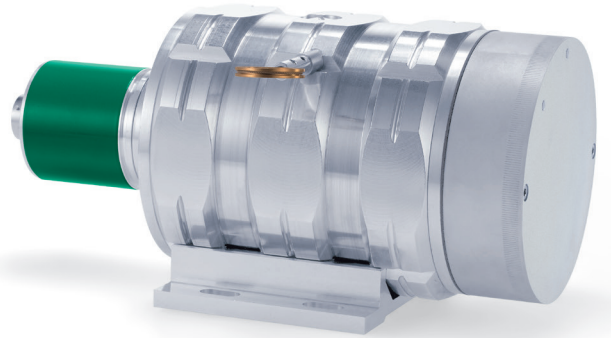
lika

Series

SAK



- 10 or 15 m measurement length
- Robust aluminium housing with optional anticorrosive surface treatment
- Forced wire guidance and one layer winding
- ATEX encoder on request



SAK

SUITABLE ENCODERS

I58-H4-03000-ZCU-06-ST-RL020:	Incremental encoder, 0.1 mm resolution, cable output
I58-H4-03000-ZCZ-06-ST-R + EPFL121:	Incremental encoder, 0.1 mm resolution, connector output
HM58-18-14-PS2-06-PT-RL020:	Programmable SSI encoder, res. up to 0,01 mm, cable output
EM58-12-14-TI12-06-PT-RL010:	Programmable analogue, 4-20mA output, cable output
AM58-12-12-PB2-06-PT-R + CC-PB:	Profibus encoder

ENVIRONMENTAL SPECIFICATIONS

Operating temperature range:	-25° +85°C (-13°F +185°F)
Protection:	see encoder

MECHANICAL SPECIFICATIONS

Dimensions:	see drawing
Stroke per turn:	300 mm
Wire retraction force:	10 ÷ 15 N
Measuring length:	10.000, 15.000 mm
Measuring speed:	10 m/sec max.
Acceleration:	4 m/s ² max.
Linearity:	± 0,05% FS max.
Weight:	~ 6-8 kg (without encoder)

MATERIALS

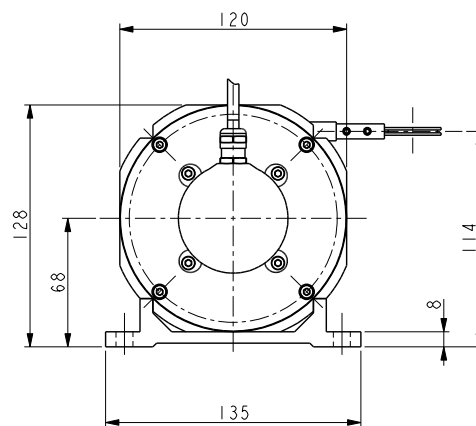
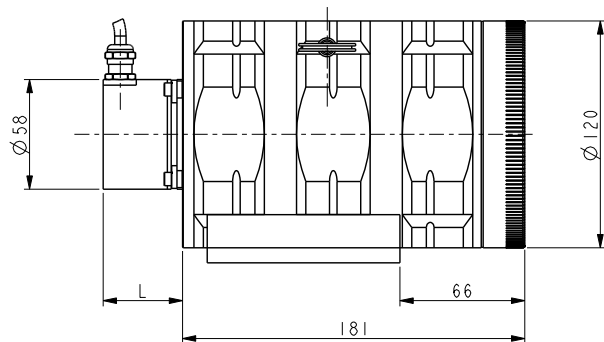
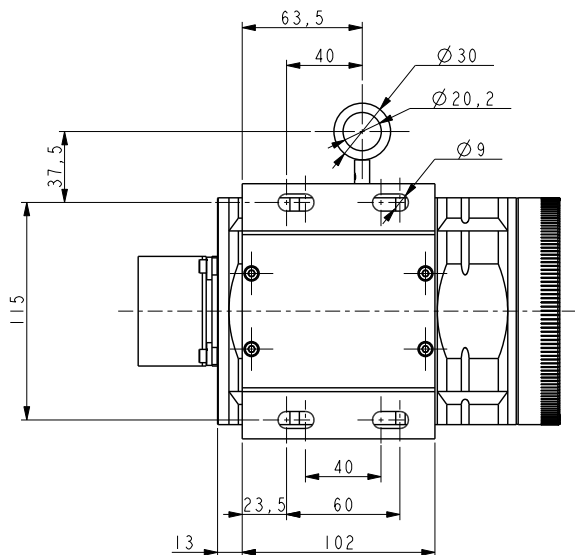
Housing:	Aluminium
Wire:	Stainless steel, ø 0,9 mm

Order code

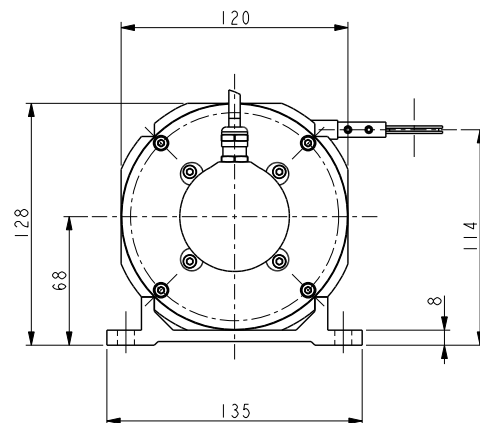
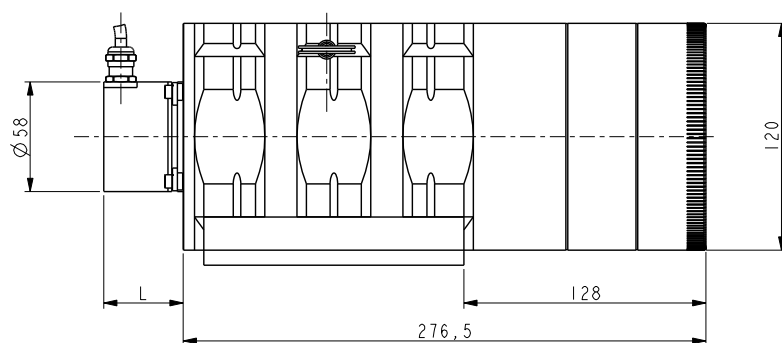
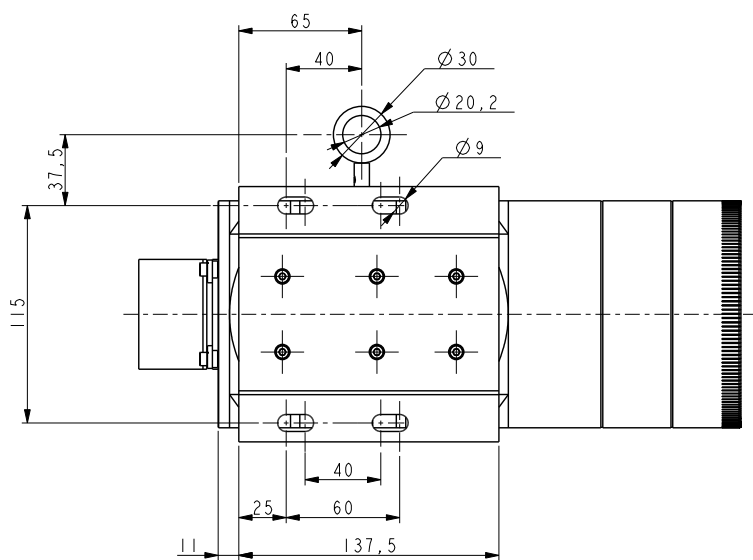
SAK	-	XXXXX a
-----	---	------------

a MEASURING LENGTH

10000 = 10000 mm
15000 = 15000 mm



SAK-10000



SAK-15000